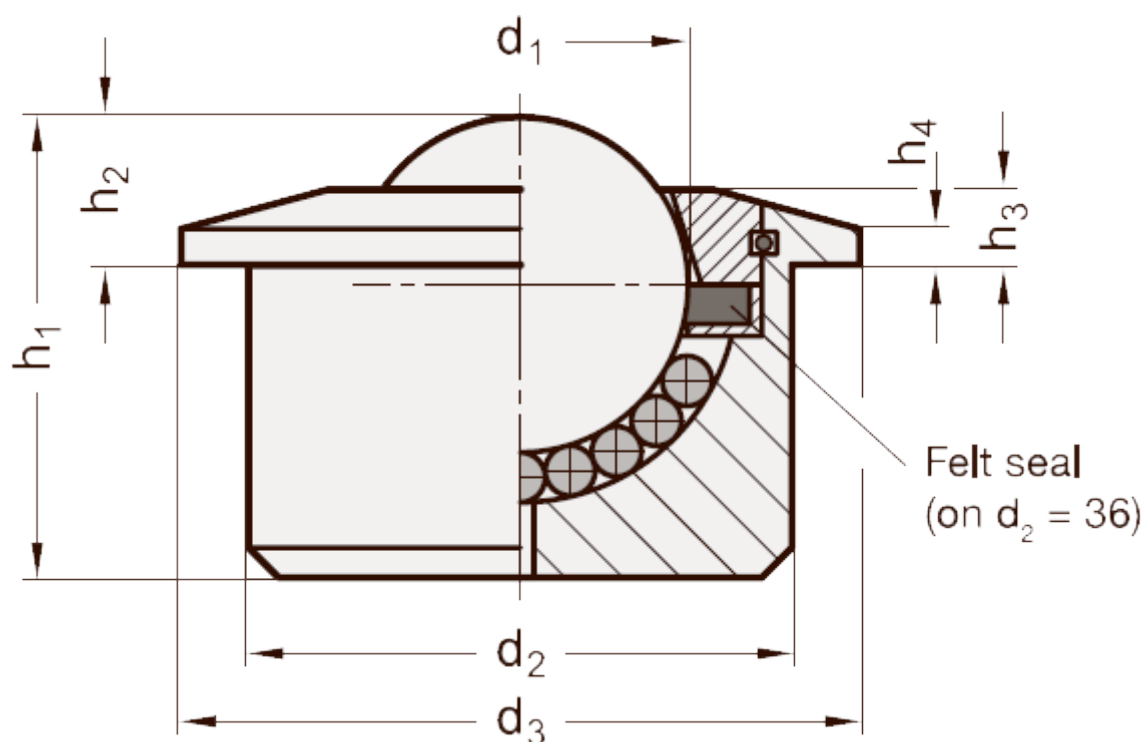


Article number: 20609028

Description: E+G Ball transfer unit  
GN 509.1-30-NNI - St. Steel

## Measures



$d_1$	= 30.1	Size	= 30
$d_2 \pm 0.08$	= 45	Weight in (g)	= 360
$d_3$	= 55		
$h_1 \pm 0.3$	= 36.8		
$h_2 \pm 0.3$	= 13.8		
$h_3 \pm 0.3$	= 7		
$h_4$	= 4.5		
Max load (N)	= 2000		